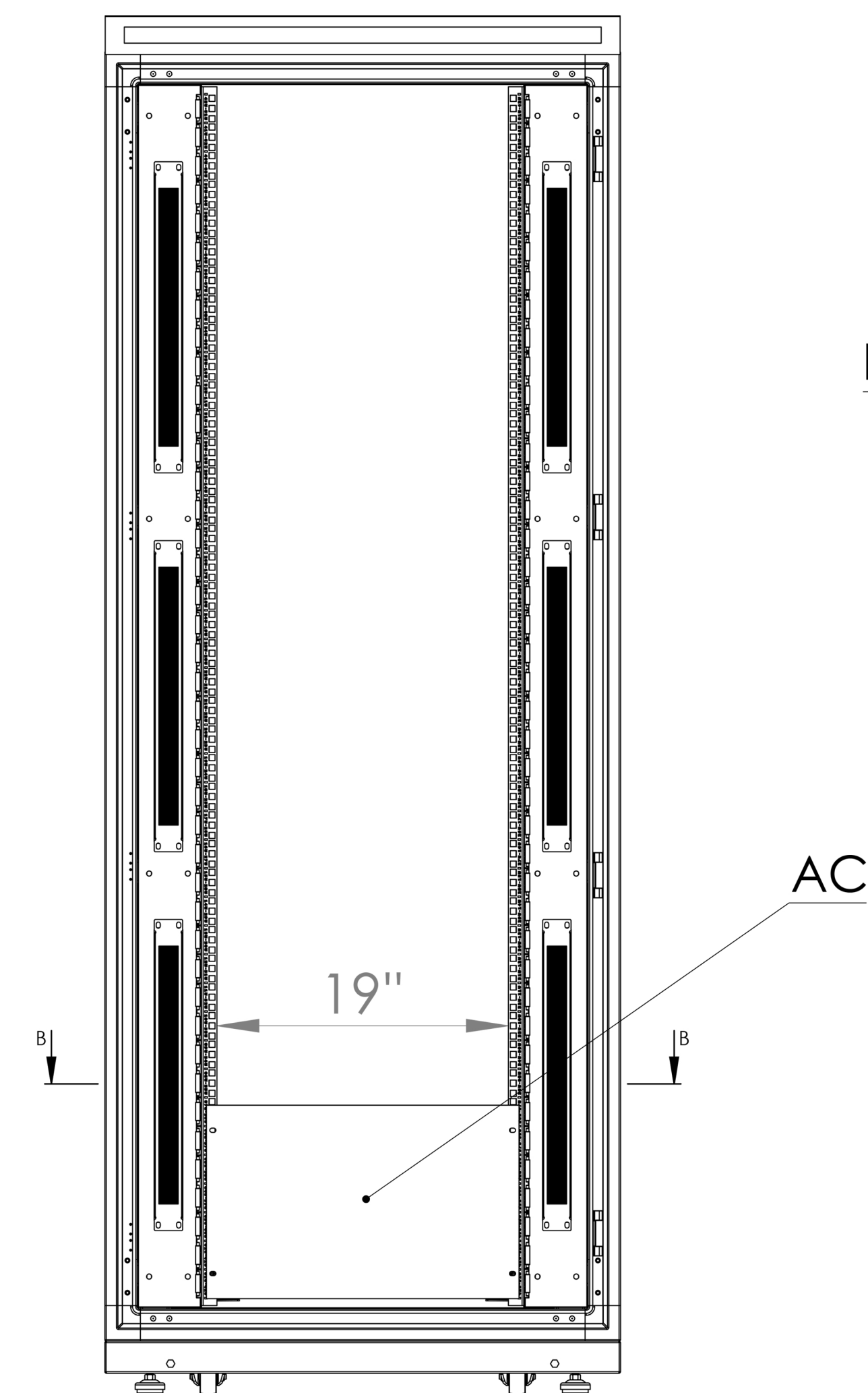
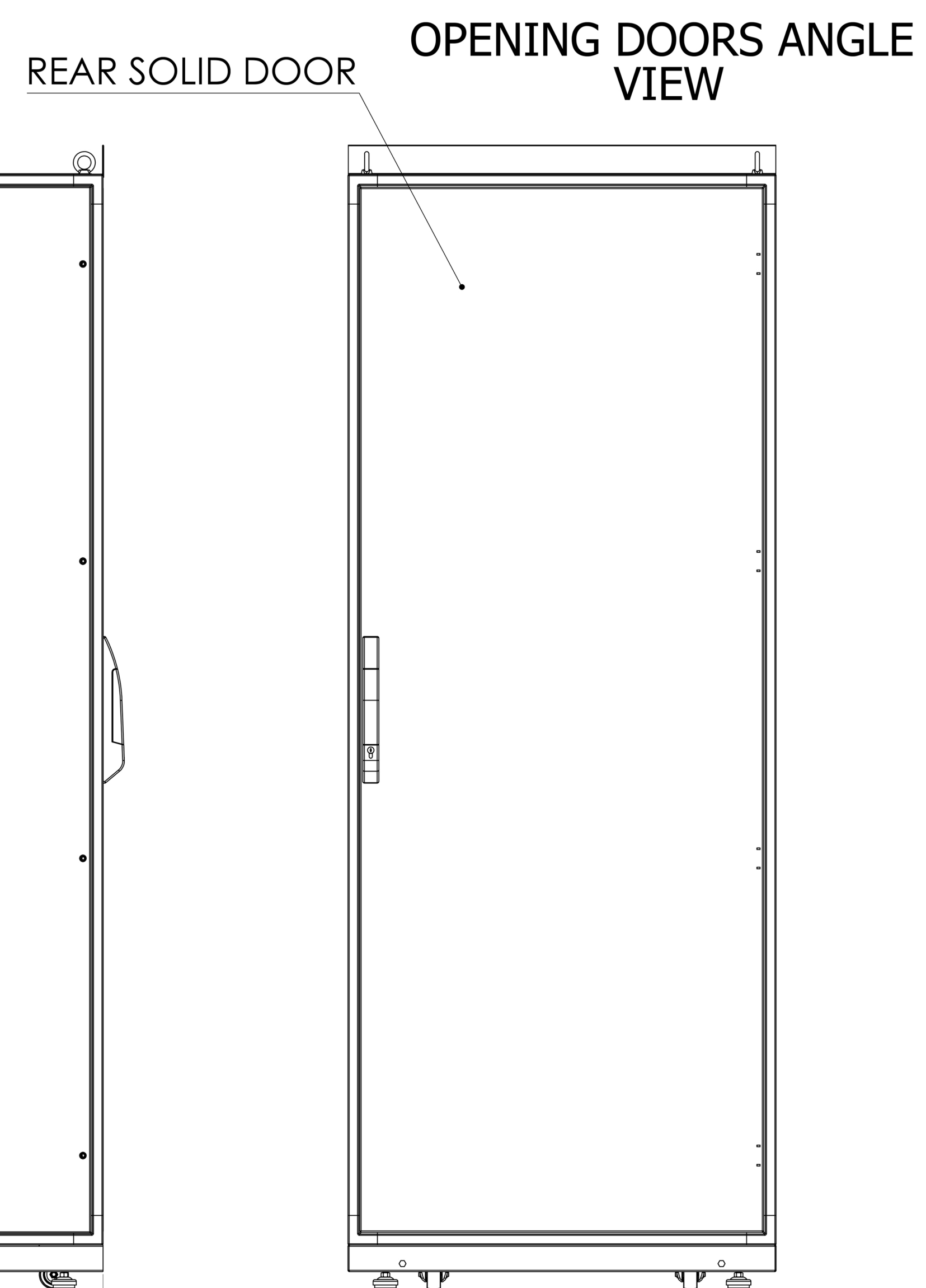
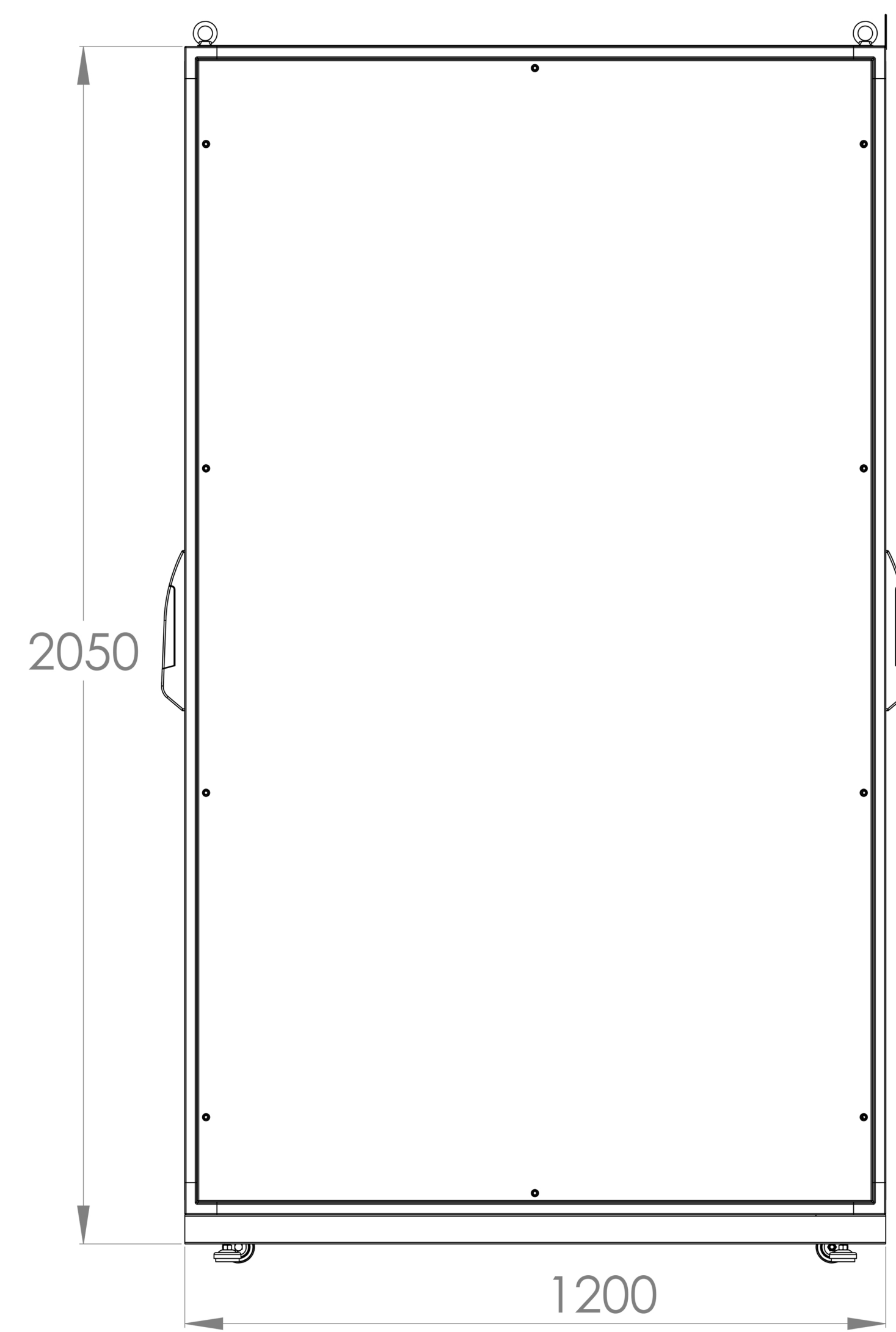
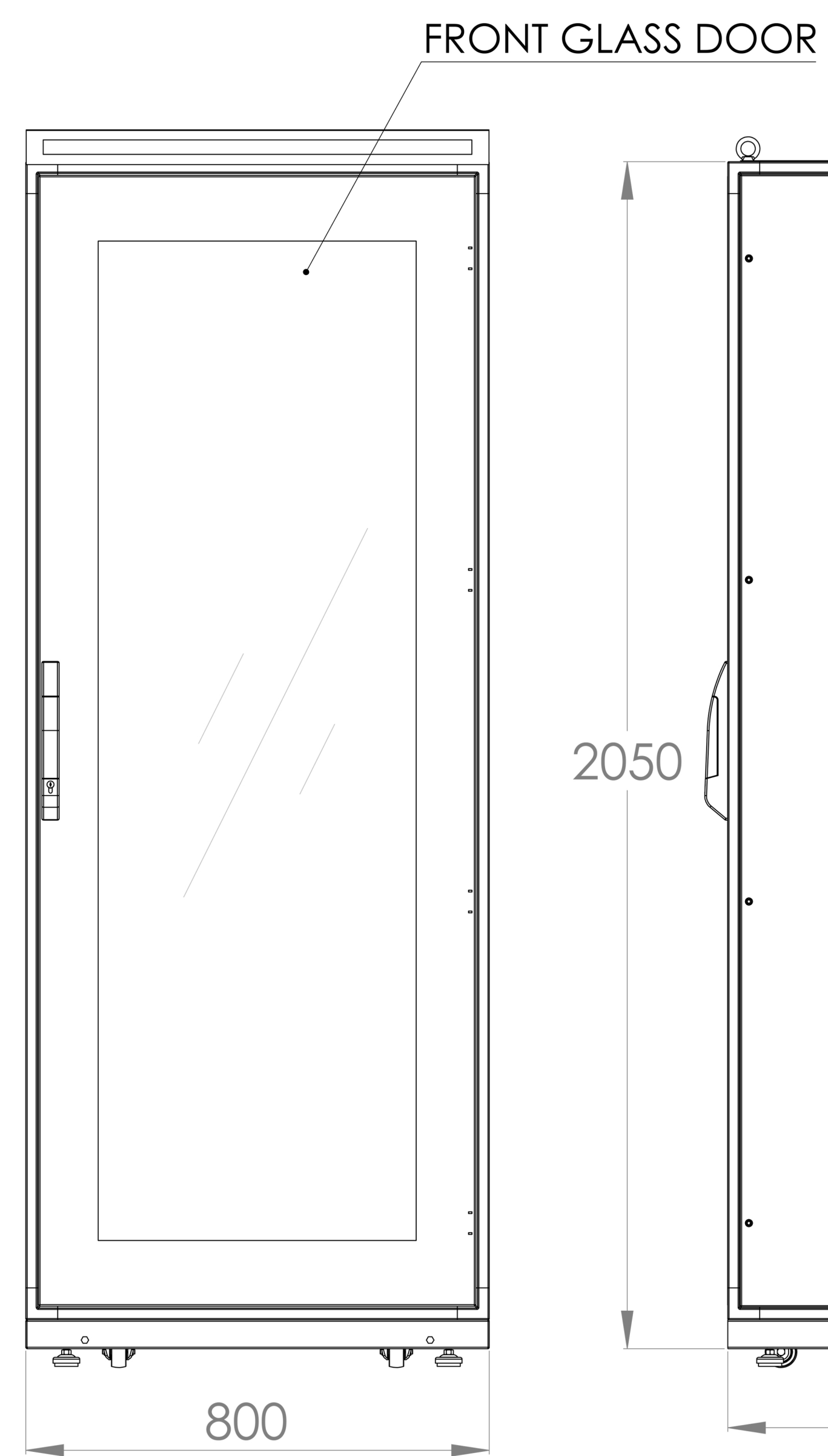


ISOMETRIC VIEW



FRONT VIEW

SIDE VIEW

REAR VIEW

FRONT INSIDE VIEW